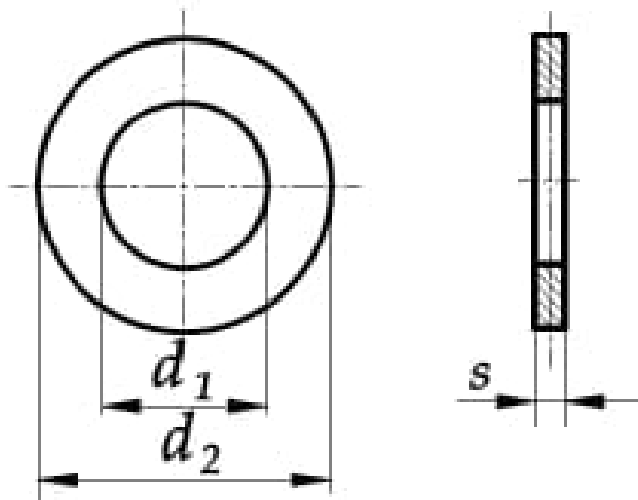




Podkładki okrągłe do sworzni, zgrubne DIN 1441



| | | | | | | | | | | | | |
|----------------------------------------------|-----|-----|-----|----|-----|----|----|----|----|----|----|----|
| d_1 | 5,5 | 7 | 8 | 9 | 11 | 13 | 14 | 15 | 17 | 19 | 21 | 23 |
| d_2 | 10 | 12 | 14 | 16 | 20 | 25 | 25 | 28 | 28 | 30 | 32 | 34 |
| s | 0,8 | 1,6 | 1,6 | 2 | 2,5 | 3 | 3 | 3 | 3 | 4 | 4 | 4 |
| Średnica sworznia <i>Clevis pins dia.</i> | 5 | 6 | 7 | 8 | 10 | 12 | 13 | 14 | 16 | 18 | 20 | 22 |

| | | | | | | | | | | | | |
|----------------------------------------------|----|----|----|----|----|----|----|-----------|-----------|----|----|----|
| d_1 | 24 | 25 | 26 | 27 | 28 | 29 | 31 | 34 | 37 | 41 | 46 | 51 |
| d_2 | 36 | 38 | 40 | 40 | 40 | 42 | 45 | 50 | 52 | 58 | 62 | 68 |
| s | 4 | 4 | 4 | 5 | 5 | 5 | 5 | 5 | 6 | 6 | 7 | 8 |
| Średnica sworznia <i>Clevis pins dia.</i> | 23 | 24 | 25 | 26 | 27 | 28 | 30 | 32, 33 | 35, 36 | 40 | 45 | 50 |

| | | | | | | | | | | |
|----------------------------------------------|----|----|----|----|-----|-----|-----|-----|-----|-----|
| d_1 | 56 | 62 | 68 | 72 | 78 | 82 | 86 | 92 | 98 | 102 |
| d_2 | 75 | 80 | 90 | 95 | 100 | 110 | 110 | 115 | 120 | 125 |
| s | 9 | 9 | 9 | 10 | 10 | 12 | 12 | 12 | 12 | 14 |
| Średnica sworznia <i>Clevis pins dia.</i> | 55 | 60 | 65 | 70 | 75 | 80 | 85 | 90 | 95 | 100 |