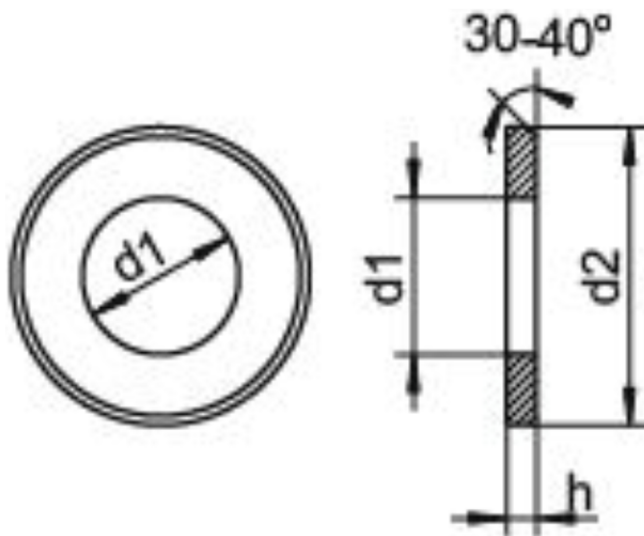
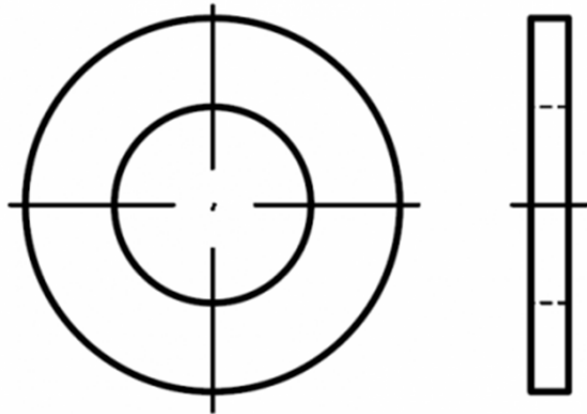




Podkładki płaskie DIN 125 B, ISO 7090



NORMA	MATERIAŁ	KLASA	POWŁOKA
DIN 125 B ISO 7090	A2 A4		wg zamówienia
Forma B (z fazą)			

<i>d</i>	M3	M4	M5	M6	M8	M10	M12	M14
<i>d1</i>	3,2	4,3	5,3	6,4	8,4	10,5	13,0	15,0
<i>d2</i>	7,0	9,0	10,0	12,0	16,0	20,0	24,0	28,0
<i>h</i>	0,5	0,8	1,0	1,6	1,6	2,0	2,5	2,5

<i>d</i>	M16	M18	M20	M22	M24	M27	M30	M33
<i>d1</i>	17,0	19,0	21,0	23,0	25,0	28,0	31,0	34,0
<i>d2</i>	30,0	34,0	37,0	39,0	44,0	50,0	56,0	60,0
<i>h</i>	3,0	3,0	3,0	3,0	4,0	4,0	4,0	5,0