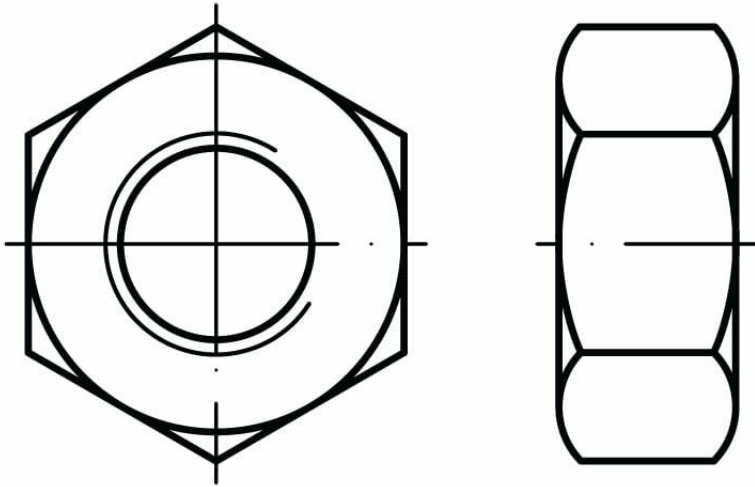




Hexagon nuts, thread UNC, UNF ANSI B18.2.2 (~DIN 934)



STANDARD	MATERIAL	CLASS	COATING
~ DIN 934 ~ISO 4032 ~PN 82144	steel A2 (INOX)	~8.8 (Grade 5) ~10.9 (Grade 8)	zinc plated