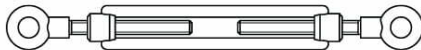
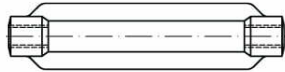
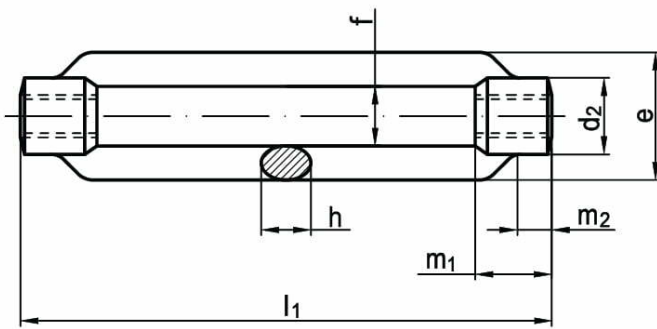
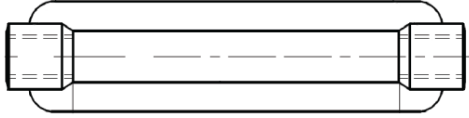




# Turnbuckles DIN 1480



STANDARD	MATERIAL	CLASS	COATING
DIN 1480 PN 82269	steel A4		galvanized zinc

Turnbuckles DIN 1480  
with 2 Plane Ends and Hexagon Nut on right thread  
Turnbuckles DIN 1480  
with Hook and Eye  
Turnbuckles DIN 1480  
with 2 Eyes  
Turnbuckles DIN 1480  
with 2 Hooks  
Turnbuckles DIN 1480  
with 2 Jaws

d	M6	M8	M10	M12	M16	M20
d <sub>2</sub>	12	15	18	21	27	34
e	19	23	30	34	42	52
f	9	11	14	16	20	24
h <sub>min</sub>	6	8	9	11	14	17
l <sub>1</sub>	110	110	125	125	170	200
m <sub>1</sub>	12	15	18	21	27	34
m <sub>2</sub>	6	8	9	11	14	17
zakres napinania	80	75	85	80	110	130

d	M24	M30	M36	M42	M48	
d <sub>2</sub>	39	45	55	63	80	
e	60	74	86	104	135	
f	28	34	40	50	65	
h <sub>min</sub>	20	23	28	32	40	
l <sub>1</sub>	255	255	295	330	355	
m <sub>1</sub>	39	45	55	63	78	
m <sub>2</sub>	20	23	28	32	39	
zakres napinania	170	160	180	200	195	