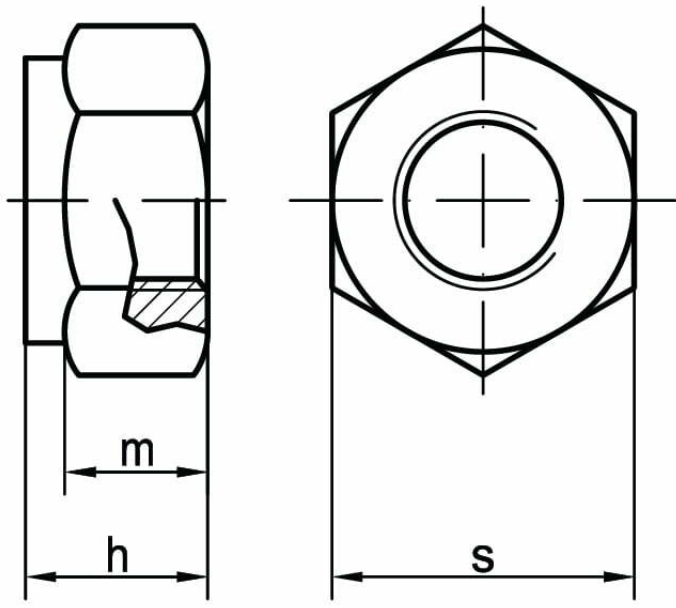
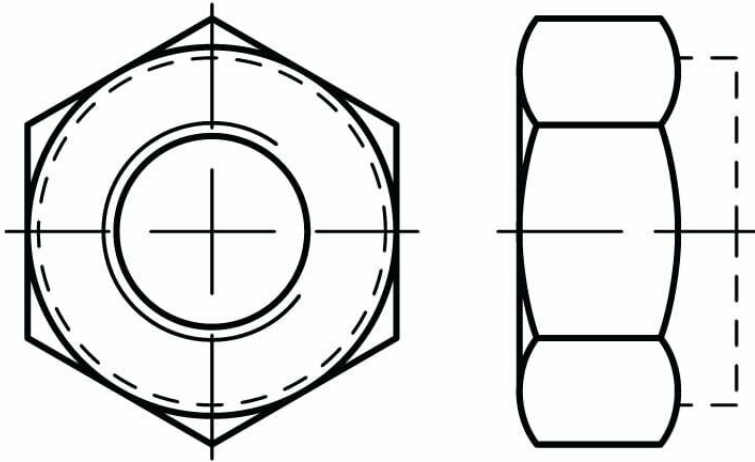




# Self-Locking Nuts w/locking Insert: Standard Series DIN 985



STANDARD	MATERIAL	CLASS	COATING
DIN 985 PN 82175 ISO 10511	Steel A2 A4 Brass	5 8 10	galvanized zinc

d	M2,5	M3	M4	M5	M6	M8	M10	M12
h	3,5	4	5	5	6	8	10	12
m <sub>DIN/ISO</sub>	2,3	2,4	2,9	3,2	4,0	5,5	6,5	8,0
s <sub>DIN/ISO</sub>	5	5,5	7	8	10	13	17	19

d	M14	M16	M18	M20	M22	M24	M27	M30
h	14	16	18,5	20	22	24	27	30
m <sub>DIN/ISO</sub>	9,5	10,5	13,0	14,0	15,0	15,0	17,0	19,0
s <sub>DIN/ISO</sub>	22	24	27	30	32	36	41	46

d	M33	M36	M39	M42	M45	M48		
h	33	36	39	42	45	48		
m <sub>DIN/ISO</sub>	22,0	25,0	27,0	29,0	32,0	36,0		
s <sub>DIN/ISO</sub>	50	55	60	65	70	75		