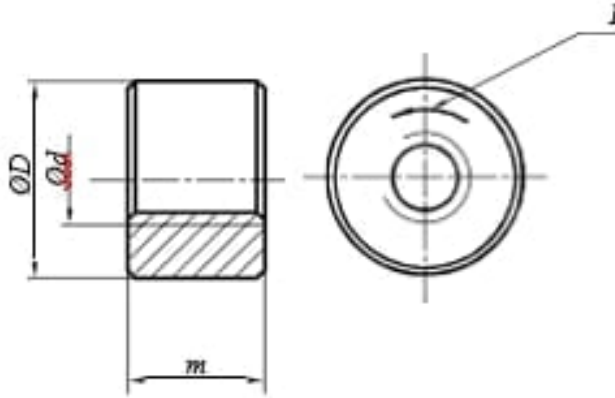




Cylindrical nuts with trapezoidal thread



<i>Od</i>	Tr10x3	Tr12x3	Tr14x4	Tr16x4	Tr18x4	Tr20x4	Tr22x5	Tr24x5	Tr26x5	Tr28x5	Tr30x6
<i>P</i>	3	3	4	4	4	4	5	5	5	5	6
<i>OD</i>	22	26	30	36	40	45	45	50	50	60	60
<i>m</i>	15	18	21	24	27	30	33	36	39	42	45

<i>Od</i>	Tr32x6	Tr36x6	Tr40x7	Tr44x7	Tr48x8	Tr50x8	Tr52x8	Tr55x8	Tr60x9	Tr70x10	Tr80x10
<i>P</i>	6	6	7	7	8	8	8	8	9	10	10
<i>OD</i>	60	75	80	80	90	90	90	90	100	110	120
<i>m</i>	48	54	60	66	72	75	78	80	90	105	110

STANDARD	MATERIAL	CLASS	COATING
DIN 103 EL 117	steel brown A2 A4		