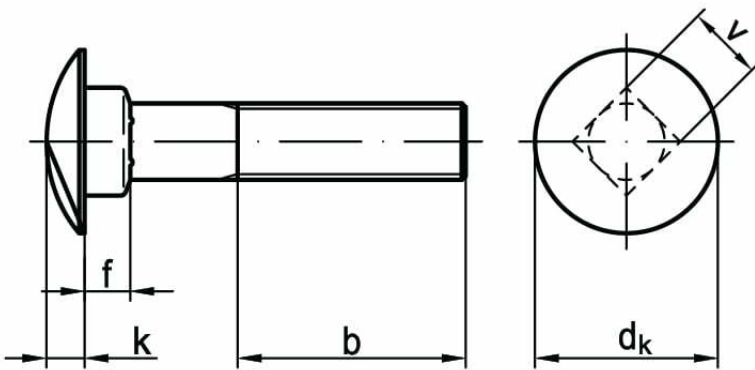
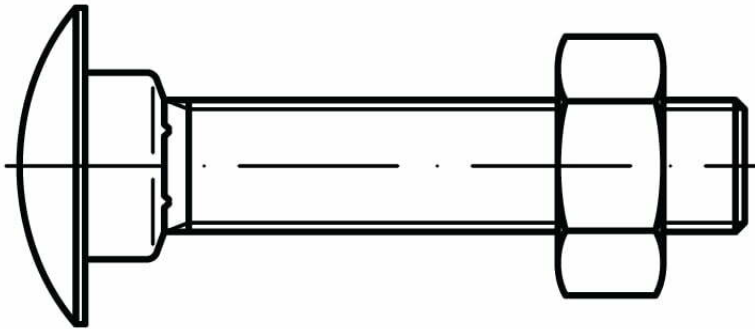




Round head square neck bolts DIN 603



| STANDARD | MATERIAL | CLASS | COATING |
|---------------------------------|----------------------------|------------|-------------------------------------------------------------------------------------------------------------------------|
| DIN 603 ISO 8677 PN 82406 | steel A2 A4 brass | 4.6 8.8 | galvanized zinc hot-dip galvanized zinc thermo-diffusion zinc coating lamellar coatings (flake) zinc-nickel |

| d | M5 | M6 | M8 | M10 | M12 | M16 | M20 |
|----------------|------|-------|-------|-------|-------|------|-------|
| d _k | 13,5 | 16,55 | 20,65 | 24,65 | 30,65 | 38,8 | 46,8 |
| k | 3,3 | 3,88 | 4,88 | 5,38 | 6,95 | 8,95 | 11,05 |
| f | 4,1 | 4,6 | 5,6 | 6,6 | 8,75 | 12,9 | 15,9 |
| v | 5,48 | 6,48 | 8,58 | 10,58 | 12,7 | 16,7 | 20,84 |
| b l<125 | 16 | 18 | 22 | 26 | 30 | 38 | 46 |
| b 125<l<200 | 22 | 24 | 28 | 32 | 36 | 44 | 52 |
| b l>200 | – | – | 41 | 45 | 49 | 57 | 65 |