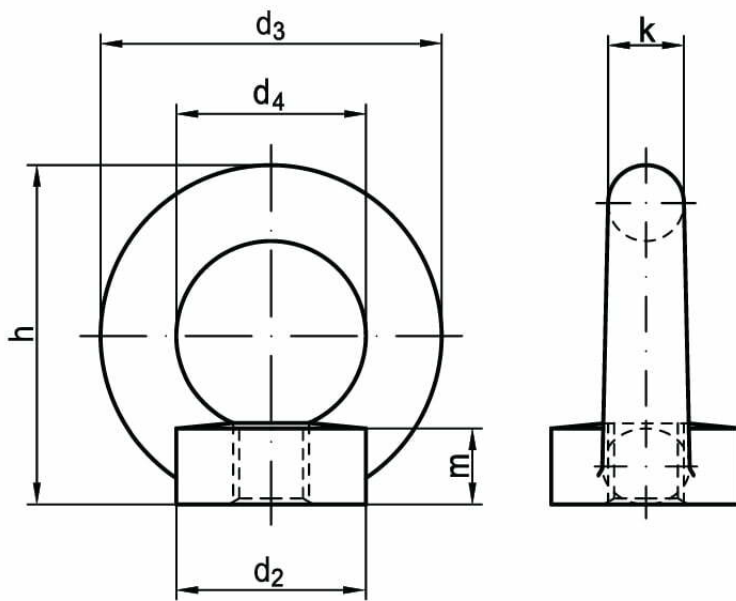
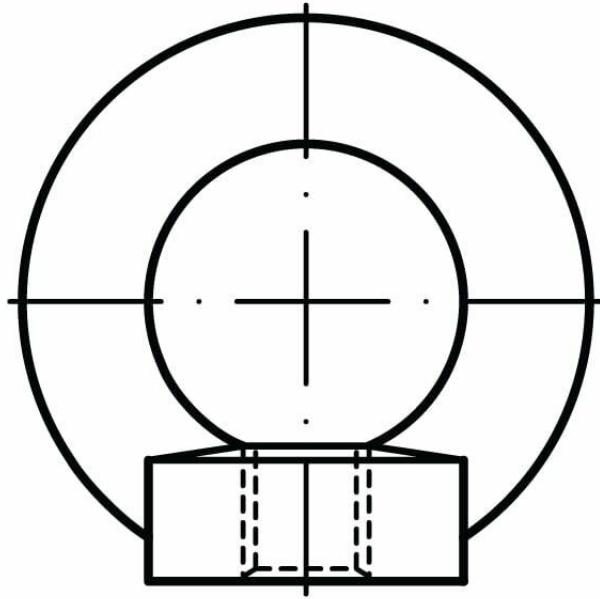




# Lifting Eye Nut DIN 582



STANDARD	MATERIAL	CLASS	COATING
DIN 582	C15 A2 A4		galvanized zinc thermo-diffusion zinc coating

d	M6	M8	M10	M12	M14	M16	M18
d <sub>2</sub>	17	20	25	30	35	35	40
d <sub>3</sub>	28	36	45	54	63	63	72
d <sub>4</sub>	16	20	25	30	35	35	40
m	8,5	8,5	10	11	13	13	16
h	31	36	45	53	62	62	71
k	6	8	10	12	14	14	16

d	M20	M22	M24	M27	M30	M33	M36
d <sub>2</sub>	40	45	50	50	65	65	75
d <sub>3</sub>	72	81	90	90	108	108	126
d <sub>4</sub>	40	45	50	50	60	60	70
m	16	18	20	20	25	25	30
h	71	80,5	90	90	109	109	128
k	16	18	20	20	24	24	28

d	M39	M42	M45	M48	M52	M56	M64
d <sub>2</sub>	85	85	100	100	110	110	120
d <sub>3</sub>	144	144	166	166	184	184	206
d <sub>4</sub>	80	80	90	90	100	100	110
m	35	35	40	40	45	45	50
h	147	147	168	168	187	187	208
k	32	32	38	38	42	42	48