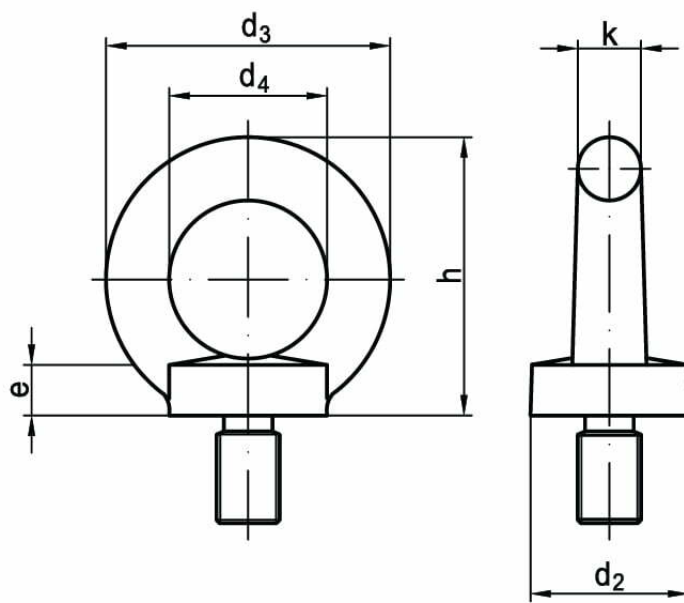
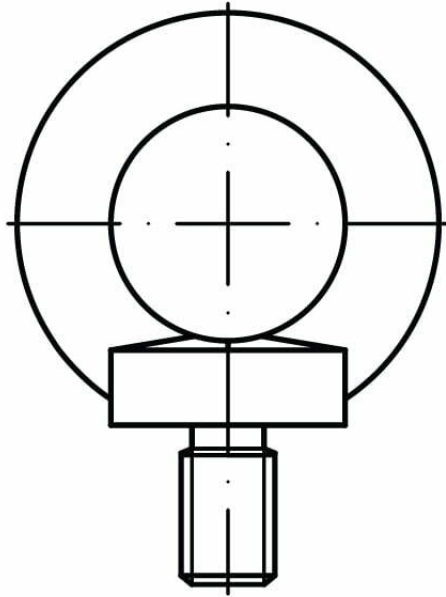




Lifting eye bolts DIN 580



STANDARD	MATERIAL	CLASS	COATING
DIN 580 PN 82472 ISO 3266	C15 A2 A4		galvanized zinc hot-dip galvanized zinc

d	M6	M8	M10	M12	M16	M20	M24	M30
d ₂	17	20	25	30	35	40	50	65
d ₃	28	36	45	54	63	72	90	108
d ₄	16	20	25	30	35	40	50	60
h	31	36	45	53	62	71	90	109
e	4	6	8	10	12	14	18	22
k	6	8	10	12	14	16	20	14

d	M36	M42	M48	M56	M64	M72x6	M80x6	M100x6
d ₂	75	85	100	110	120	150	170	190
d ₃	126	144	166	184	206	260	296	330
d ₄	70	80	90	100	110	140	160	180
h	128	147	168	187	208	260	298	330
e	26	30	35	38	42	50	55	60
k	28	32	38	42	48	60	68	75