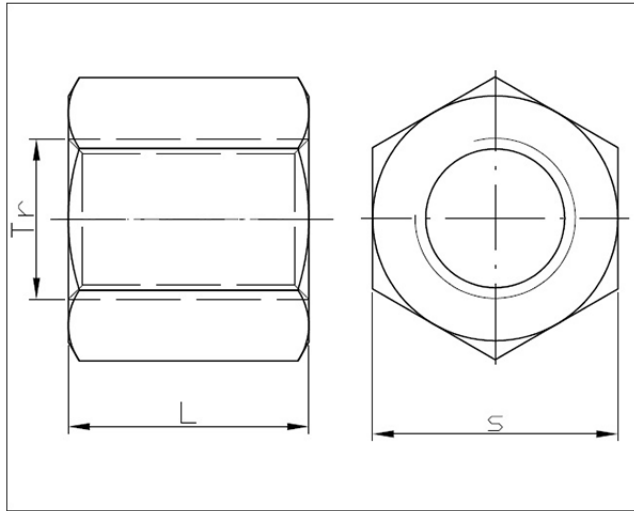




Hexagonal trapezoidal nuts



| STANDARD | MATERIAL | CLASS | COATING |
|-------------------|----------------------------------|-------|---------|
| DIN 103 EL 122 | steel according to guidelines | | |

| Gwint | TR 10×2 | TR 10×3 | TR 12×3 | TR 14×3 | TR 14×4 | TR 16×4 | TR 18×4 | TR 20×4 |
|-------|---------|---------|---------|---------|---------|---------|---------|---------|
| S | 17 | 17 | 19 | 22 | 22 | 27 | 27 | 30 |
| L | 15 | 15 | 18 | 21 | 21 | 24 | 27 | 30 |

| Gwint | TR 22×5 | TR 24×5 | TR 26×5 | TR 28×5 | TR 30×6 | TR 32×6 | TR 36×6 | TR 40×7 |
|-------|---------|---------|---------|---------|---------|---------|---------|---------|
| S | 20 | 36 | 36 | 41 | 46 | 46 | 55 | 65 |
| L | 33 | 36 | 39 | 42 | 45 | 48 | 54 | 60 |

| Gwint | TR 44×7 | TR 48×8 | TR 50×8 | TR 60×9 | TR 70×10 |
|-------|---------|---------|---------|---------|----------|
| S | 65 | 75 | 75 | 90 | 90 |
| L | 66 | 72 | 75 | 90 | 105 |