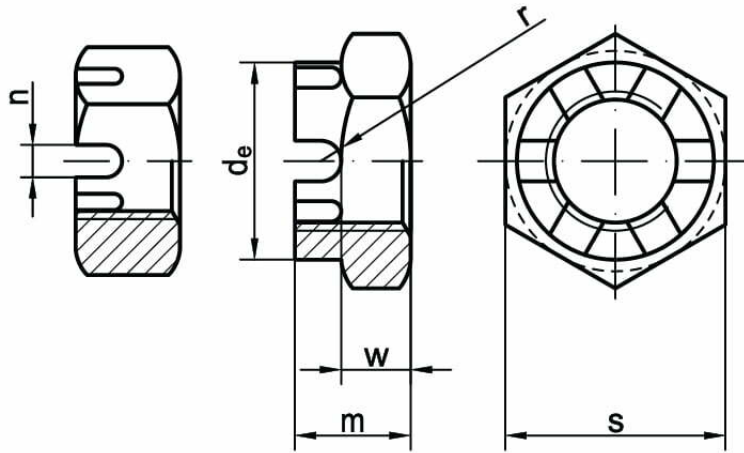
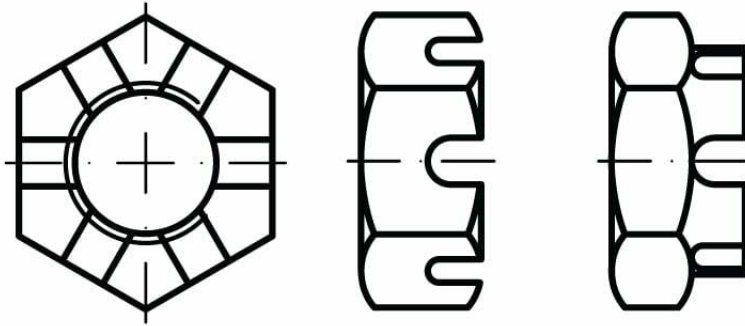




# Hexagon thin castle nuts DIN 937



STANDARD	MATERIAL	CLASS	COATING
DIN 935 PN 82148 ISO 7035	14H 17H A2 A4		galvanized zinc

d	M6	M8	M10	M12	M14	M16	M18	M20
d <sub>e</sub>	–	–	–	17	19	22	25	28
w <sub>max</sub>	3,5	4,5	5	6	7	7	8	8
m <sub>DIN/ISO</sub>	6	8	9	10	11	12	13	13
s <sub>DIN/ISO</sub>	10	13	17	19	22	24	27	30
n	2,0	2,5	2,8	3,5	3,5	4,5	4,5	4,5
Split pin DIN 94	1,6×14	2×16	2,5×20	3,2×22	3,2×25	4×28	4×32	4×36

d	M22	M24	M27	M30	M33	M36	M39	M42
d <sub>e</sub>	30	34	38	42	46	50	55	58
w <sub>max</sub>	9	9	11	11	13	13	13	14
m <sub>DIN/ISO</sub>	15	15	17	18	20	20	22	23
s <sub>DIN/ISO</sub>	32	36	41	46	50	55	60	65
n	5,5	5,5	5,5	7	7	7	7	9
Split pin DIN 94	5×36	5×40	5×45	6,3×50	6,3×56	6,3×63	6,3×71	8×71

d	M45	M48	M52					
d <sub>e</sub>	62	65	70					
w <sub>max</sub>	16	16	18					
m <sub>DIN/ISO</sub>	25	25	27					
s <sub>DIN/ISO</sub>	70	75	80					
n	9	9	9					
Split pin DIN 94	8×80	8×80	8×90					