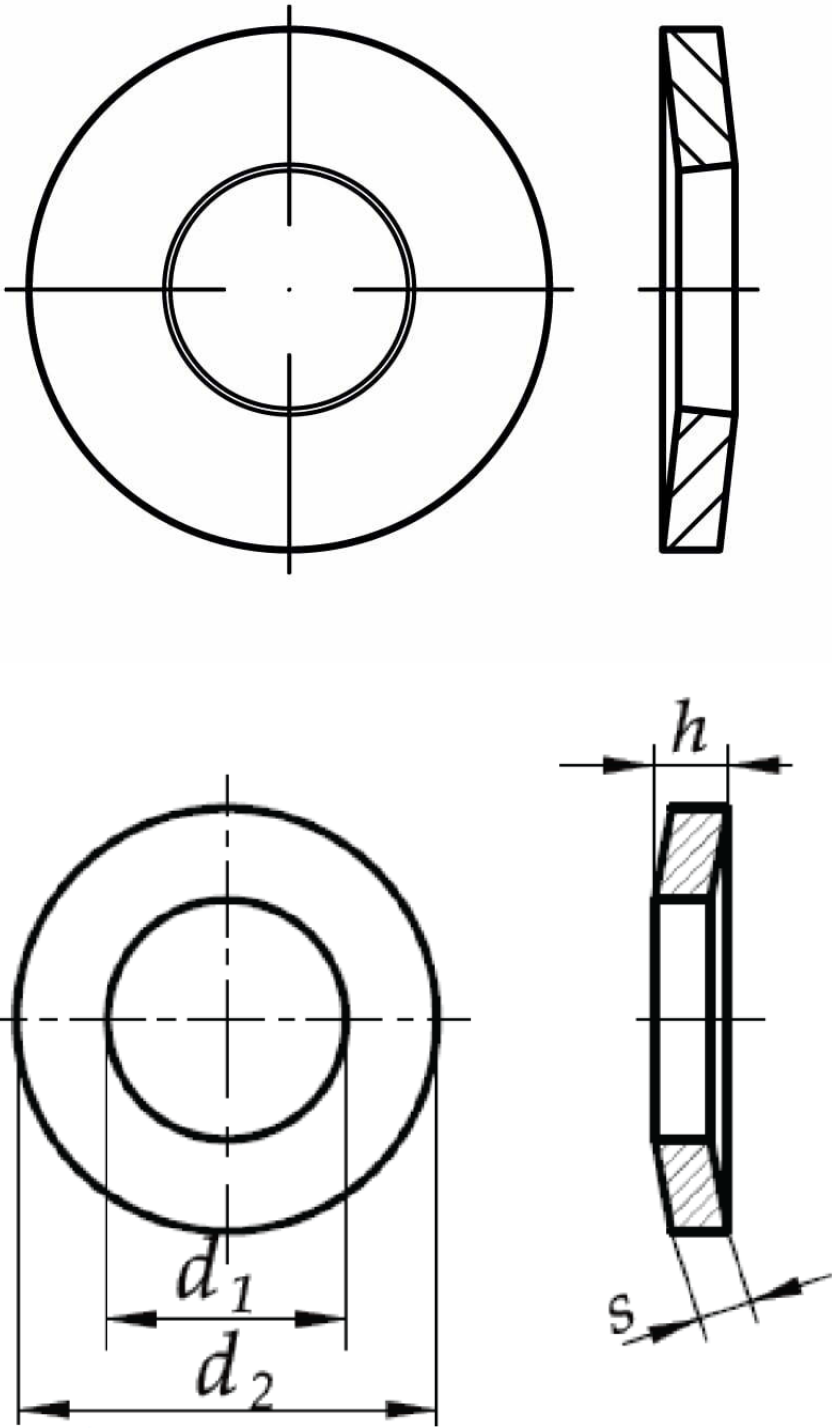




# Conical spring washers DIN 6796



STANDARD	MATERIAL	CLASS	COATING
DIN 6796	steel A2 A4		galvanized zinc